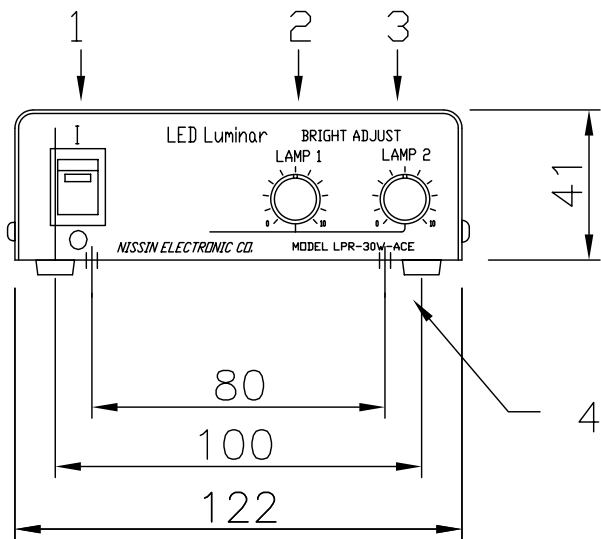
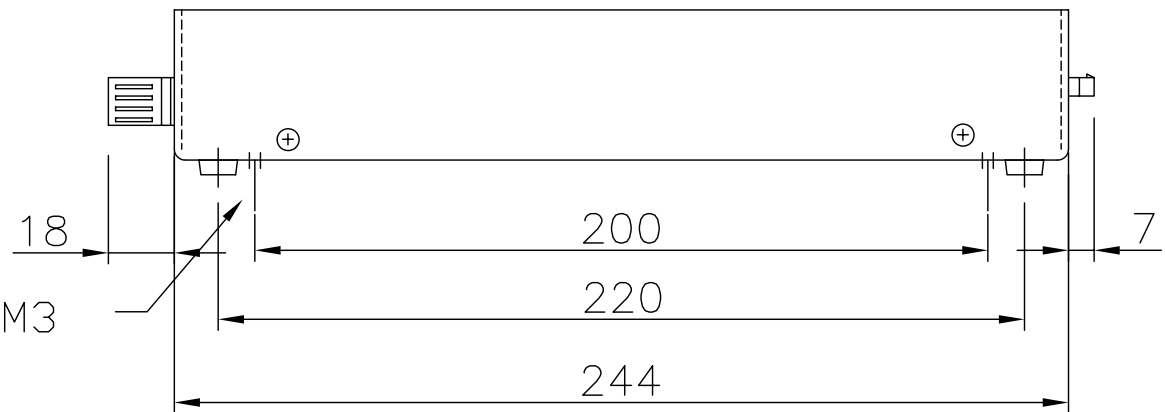


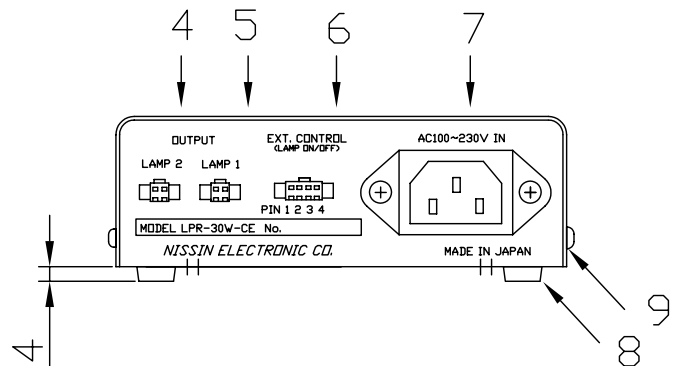
Front Plane



Side View

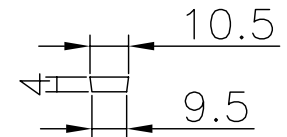


Back Plane



1. I/O Power Switch
2. BRIGHT ADJUST LAMP1
3. BRIGHT ADJUST LAMP2
4. OUT PUT LAMP1
5. OUT PUT LAMP2
6. SIGNAL IN (External Input)
7. AC IN

Dimensions of foot



Dimensions W122.H41.D244(excluding extrusions)
Weight approx 1,000g

* Bottom is not flat.
There are some extrusions.

△	--			
△	--			
△	--			
△	--			
△	--			

LED Luminar				LPR-30W-CE	
08.09.08				NISSIN ELECTRONIC	
				日進電子工業株式会社	
		製図	設計	照査	